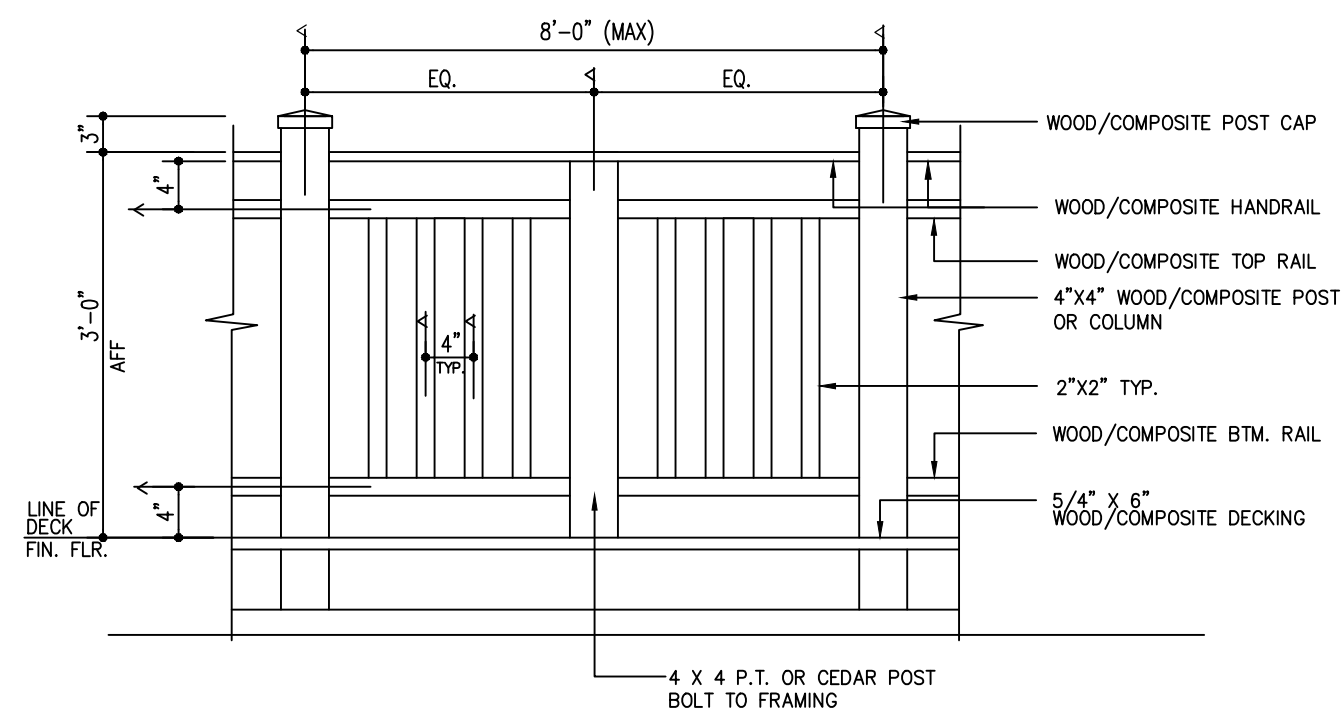


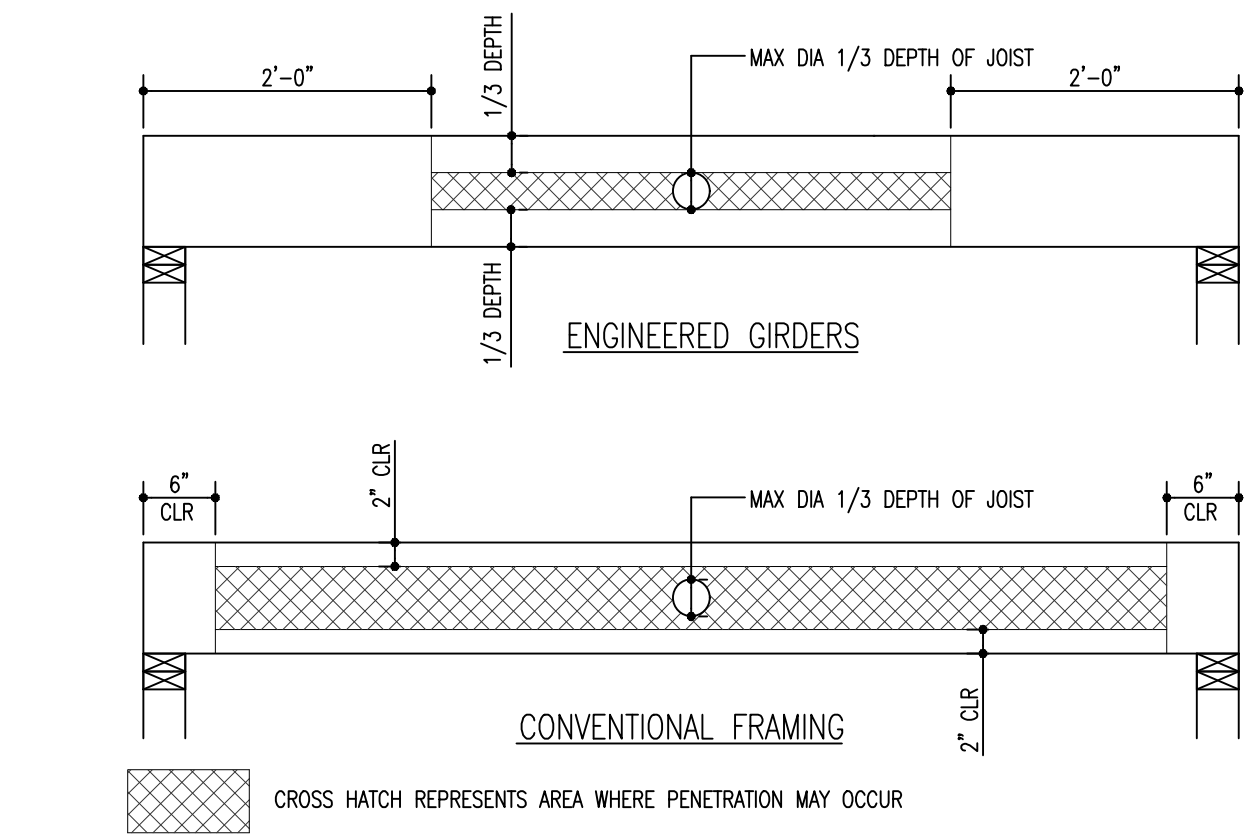
1 DECK FRAMING DETAIL

SCALE: 3/4" = 1'-0"



2 TYPICAL RAILING DETAIL

SCALE: 3/4" = 1'-0"



3 JOIST PENETRATION LOCATION DETAIL

NOT TO SCALE



EXISTING PHOTO FROM REAR LEFT SIDE YARD
 SCALE: NOT TO SCALE



EXISTING PHOTO FROM FRONT LEFT SIDE YARD
 SCALE: NOT TO SCALE



EXISTING PHOTO OF DRYWELL GRATE AT GRADE
 SCALE: NOT TO SCALE



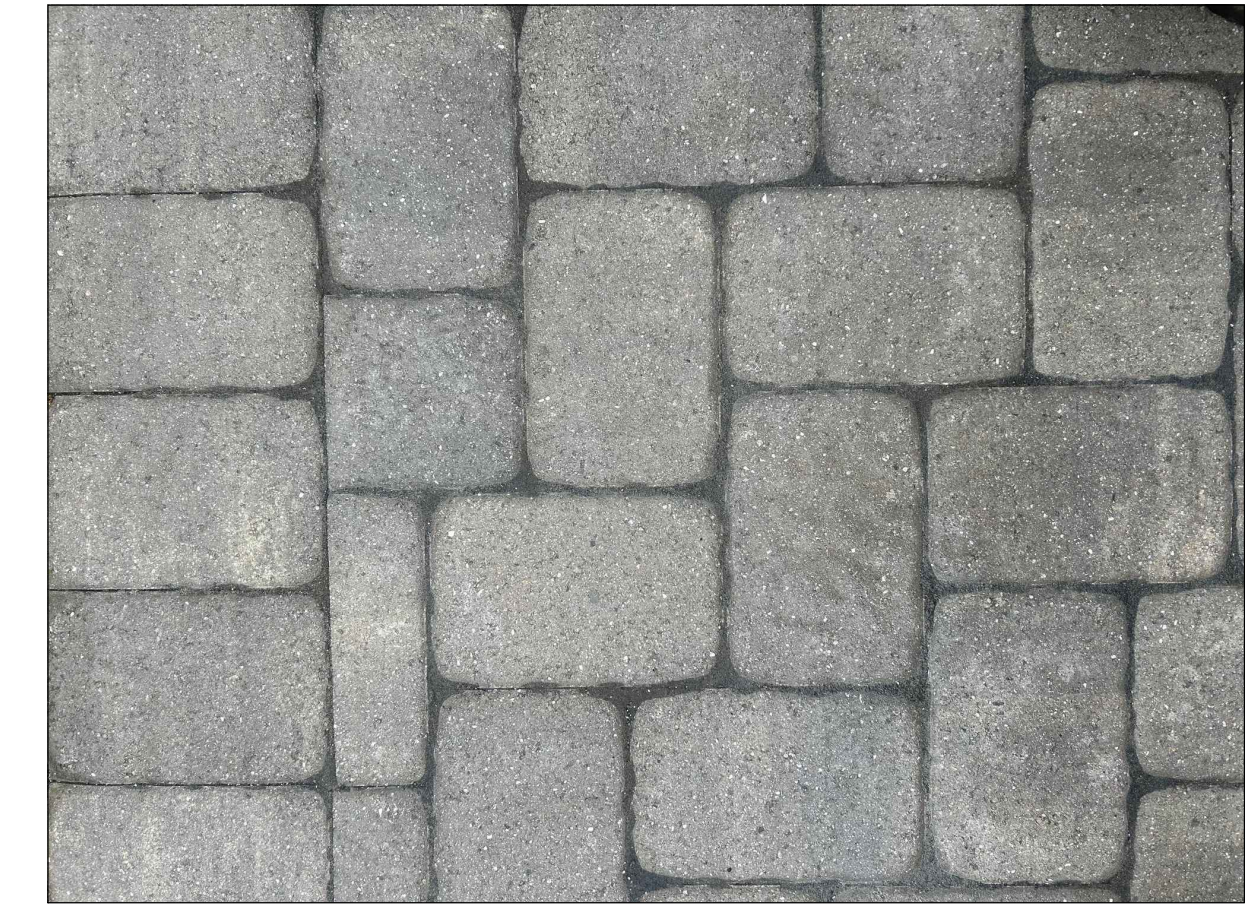
TREX TRANSCEND COMPOSITE DECKING,
 ISLAND MIST COLOR

PROPOSED DECKING FLOOR
 SCALE: NOT TO SCALE



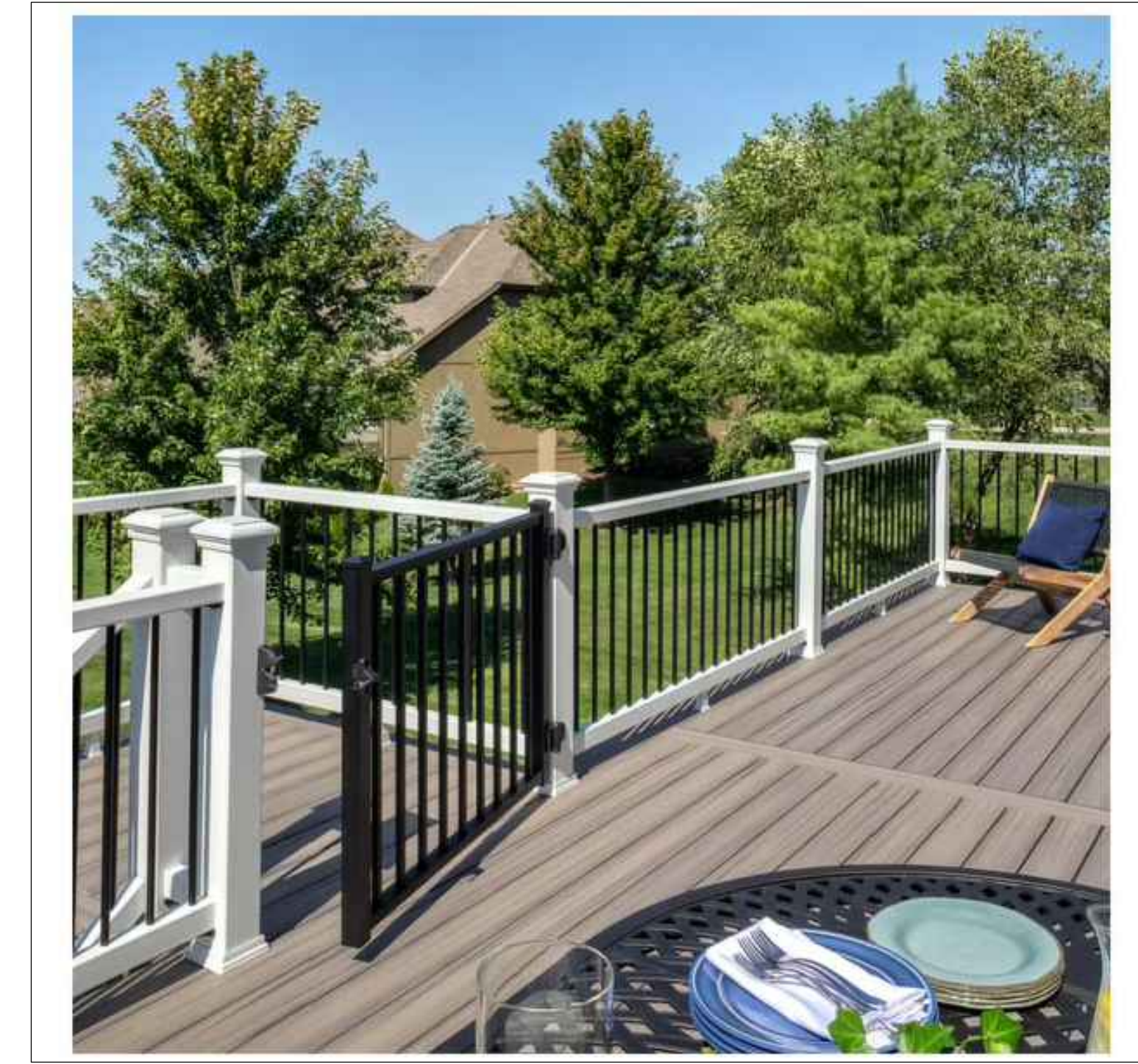
TREX TRANSCEND COMPOSITE DECKING,
 ISLAND MIST COLOR

PROPOSED DECKING FLOOR
 SCALE: NOT TO SCALE



GREY / BLUE PAVER PATIO
 HERRINGBONE LAYOUT W/ PERIMETER BLOCK

PROPOSED PATIO FLOOR
 SCALE: NOT TO SCALE



TREX SIGNATURE SERIES ALUMINUM RAILING
 WHITE NEWEL POSTS W/ BLACK BALUSTERS

PROPOSED DECK HANDRAIL
 SCALE: NOT TO SCALE

ALL DRAWING IN THIS SET ARE PREPARED BY HOME OWNER, MICHAEL MELVIN.
 SIGNATURE _____
 DATE: 08/21/2024

LOT 19 BLOCK 4004
 ZONE R-7
 FLORHAM PARK BOROUGH
 MORRIS COUNTY NEW JERSEY

TITLE: DETAILS
 MS. PODHAYNY & MR. MELVIN
 36 ELMWOOD ROAD
 FLORHAM PARK BOROUGH, NJ 07932

BOA-3
 SHEET 3 OF 3
 DATE: 08/21/2024